

Schraubstockbefestigung

Vice fastening

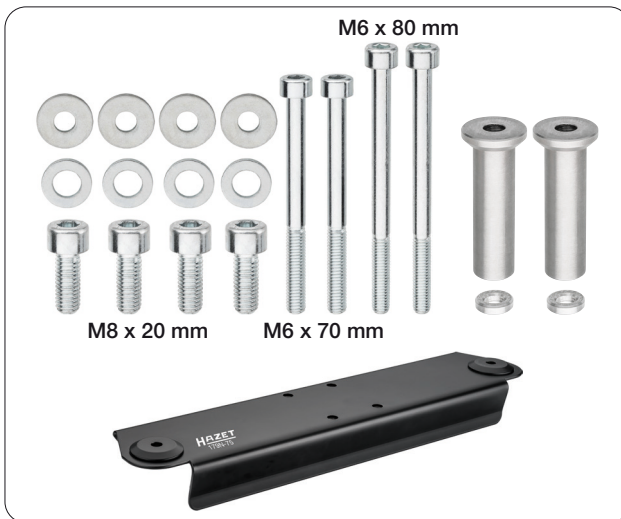
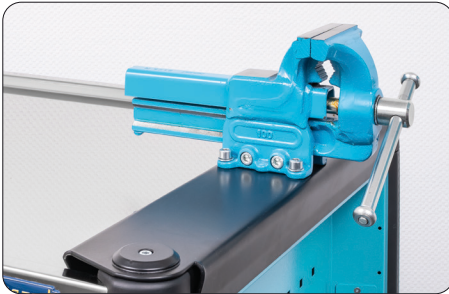
179N-75



179N-75

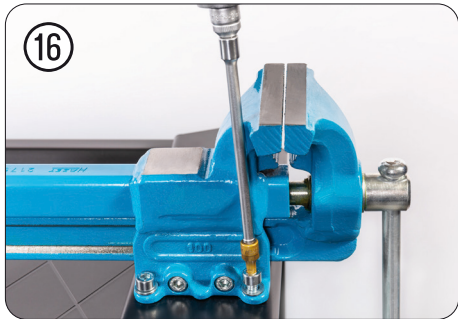
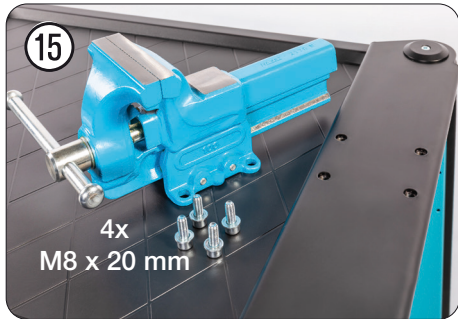
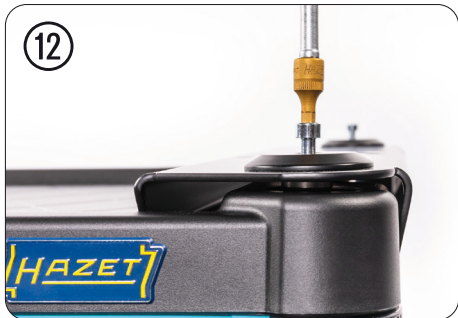
	HAZET No.	
①	179N-75 Schraubstockbefestigung 179N-75 Vice fastening	1

Für Werkstattwagen HAZET *Assistant* 179N/179NX/179NXL und 179NXXL, Bj. → 01.07.2019
 For tool trolleys HAZET *Assistant* 179N/179NX/179NXL and 179NXXL, model year → 01 July 2019

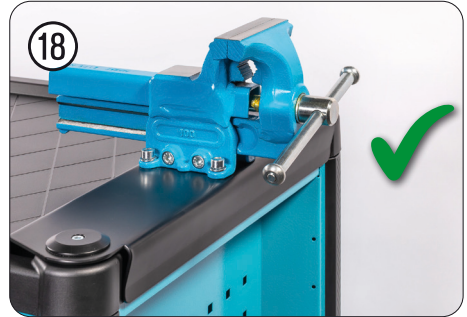


Montage-Schraubstockbefestigung / Installation vice fastening



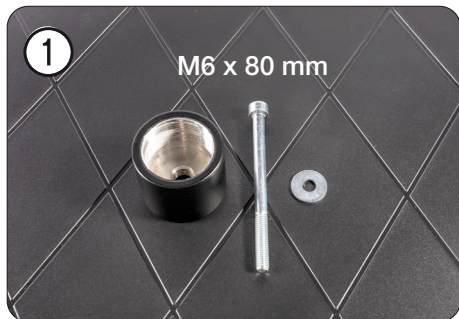


Montage Schraubstock 2175N / Installation vice 2175N



Notizen / Notes

Montage 179W-42/179W-40 / Installation 179W-42/179W-40



Notizen / Notes

A large rectangular area with rounded corners, filled with horizontal lines for writing notes. The lines are evenly spaced and extend across the width of the page, leaving a small margin at the top and bottom.

Notizen / Notes

A large rectangular area with rounded corners, containing numerous horizontal lines for writing notes. The lines are evenly spaced and extend across the width of the page.



HAZET-WERK Hermann Zerver GmbH & Co. KG

📍 Güldenwerther Bahnhofstraße 25 - 29 · 42857 Remscheid · GERMANY

✉ 10 04 61 · 42804 Remscheid · GERMANY

☎ +49 (0) 21 91 / 7 92-0 · 📠 FAX +49 (0) 21 91 / 7 92-375 · 🌐 www.hazet.de · ✉ info@hazet.de