

## Product information

# 20 01 125

- Flat, short, wide jaws
- Suitable for gripping flat materials in easily accessible places
- Knurled gripping surfaces

## Flat Nose Pliers

DIN ISO 5745

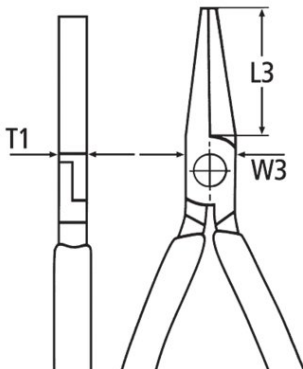


### General

Article No.	20 01 125
EAN	4003773033875
Pliers	black atramentized
Head	polished
Handles	plastic coated
Weight	80 g
Dimensions	125 x 51 x 11 mm
Standard	DIN ISO 5745
REACH compliant	does not contain SVHC
RoHS compliant	not applicable

### Technical details

Jaw thickness (joint) (T1)	8.0 mm
Jaw length (L3)	27.0 mm
Head width (W3)	14.5 mm



*technical change and errors excepted*

